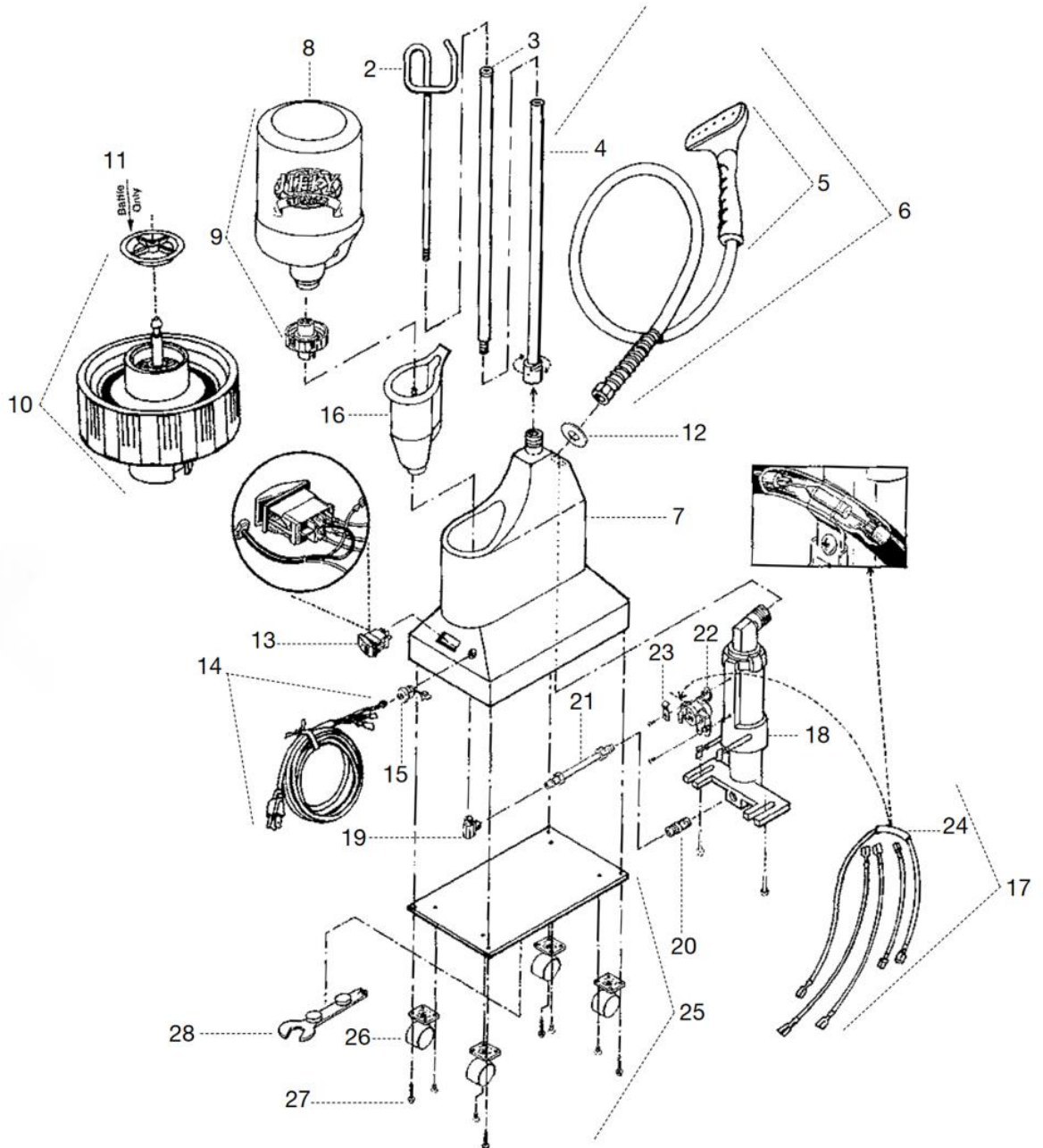
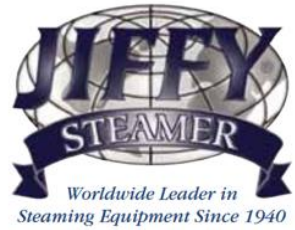


J-1 and J-2 Models

Parts Diagram



Should you ever need replacement parts for your Jiffy Steamer, you may purchase them separately. Use this handy diagram and parts list to identify any part you may need. Please include your model and serial number when ordering.

Replacement Parts

Key #	Jiffy Steamer Part #	Part Description	Price inc. GST
1	1030	Rod Set & Nut for 1.67m Hose – Style B	\$ 94.29
2	0035	Hook Section of Rod Set	\$ 23.26
3	0036	Middle Section of Rod Set - with barrel stud and cap screw	\$ 26.78
4	1033	Bottom Section of Rod Set with Nut – Style B	\$ 49.03
	0043	Metal Threaded Cap Screw for Rod Set	On request
	0039	Metal Threaded Stud for Rod Sections	On request
5	0253	Plastic Steam Head and Handle Replacement Kit	\$ 78.57
6	0251	Plastic Steam Head with 1.67m Hose	\$ 182.29
	0074	Brass Hat Nozzle	\$ 47.14
7	0002	Painted Die Cast Aluminum Housing	On request
8	0026A	Plastic Water Bottle “B” without Check Valve Cap	On request
9	0025	Plastic Water Bottle “B” with Check Valve Cap	On request
10	0027A	Replacement Check Valve Cap for Water Bottle “B”	\$ 14.21
11	0027B	Replacement Check Valve Cap Baffle Only	On request
12	0004	Beauty Ring (Round)	\$ 3.77
	0122	Toggle Switch (3 Pieces)	On request
	0128	Red Neon Pilot Light with Lock Ring 230 Volt	On request
13	1126	Green Lighted Rocker Switch 230V - Contura Series	\$ 33.31
14	0144	Cord Set (ESTA S-86, 230V) with Strain Relief	\$ 34.57
15	0146C	Cord Strain Relief	On request
16	0028	Water Cup with 90 Degree Brass Fitting	On request
17	0148	Internal Wire Set for Models with Green Contura Rocker Switch	On request
18	0162A	Heating Unit Assembly (no wiring included) – 230 Volt and 115mm Water Line	On request
19	0030	Brass 90 Degree Elbow Joint	On request
20	1130	9.52mm x 6.35mm Straight Brass Fitting for Heating Element Housing	On request
21	0591	Copper Tube (4” length) with Nuts and Compression Rings	\$ 15.71
	1191	Copper Tube (4 1/2” length) with Nuts and Compression Rings	On request
	0187	Copper Tube (5” length) with Nuts and Compression Rings	On request
22	0160	L-290 Thermostat	\$ 31.43
23	0195	Fusible Link Clamp	On request
24	0151	Fusible Link Wire with Insulated Lug and Clamp	\$ 11.19
25	0009	Bottom Plate with Casters	On request
26	0011	Bottom Plate Casters (Set of 4)	\$ 23.76
27	0010	Screws for Bottom Plate (4 Screws Total)	On request

Before attempting any repair on a Jiffy Steamer product, make sure that it is **unplugged from the outlet**.

Accessories

Key #	Jiffy Steamer Part #	Part Description	Price inc. GST
	0899	Jiffy Steamer Liquid Cleaner – Pack of two 250ml Bottles	\$ 29.95
	0252	Plastic Steam Head with 2.28m Hose	\$ 204.29
	0254	Metal Steam Head with 1.67m Hose	\$ 254.57
	1026	Multi Purpose Steam Head Kit with 4 Attachments - 1.67m Hose	\$ 330.00
	0262	1.67m Hose with 9" Curved Pipe Head	\$ 213.71
	1062	1.67m Hose with Steam Cleaning B Brush Attachment	\$ 220.00
	1063	Brush Only for the "B" Hose Attachment	\$ 31.43
	0256	Metal Head & Wood Handle Only	\$ 137.03
	0269	Wooden Handle with Stainless Steel Screw (for Metal heads)	\$ 26.02

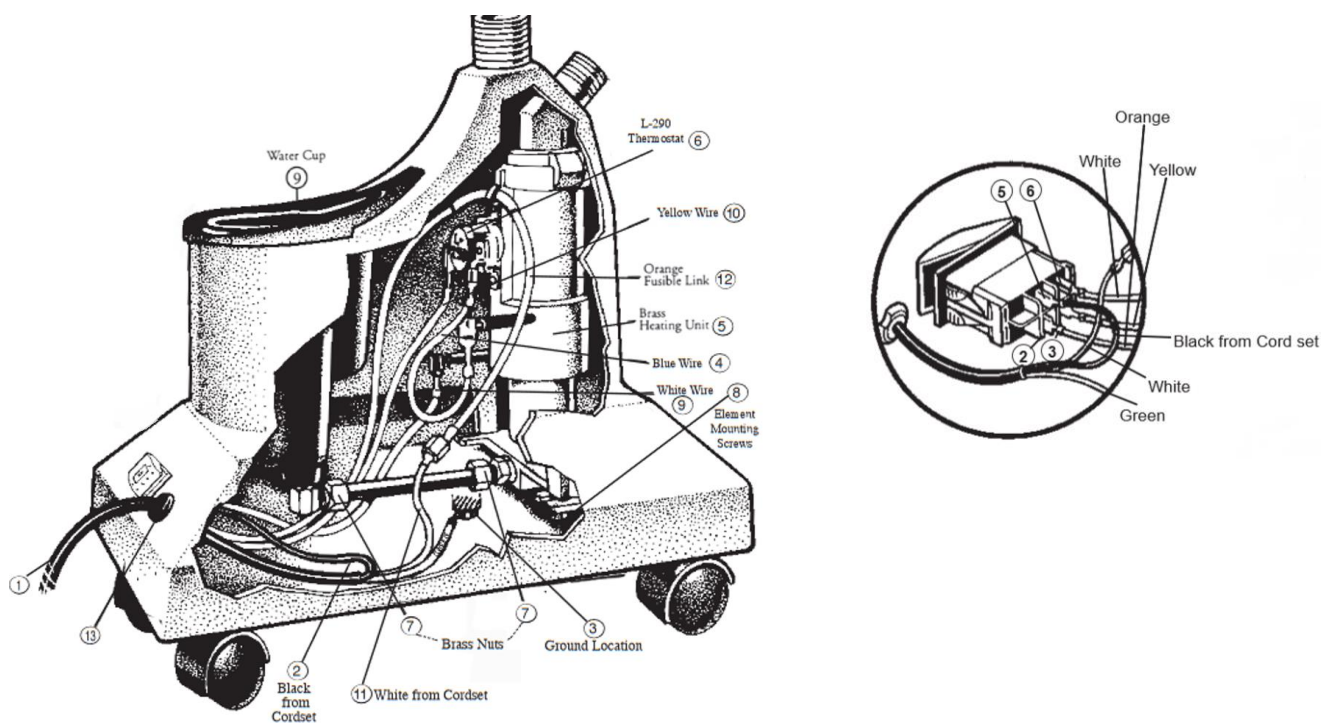
Before attempting any repair on a Jiffy Steamer product, make sure that it is **unplugged from the outlet**.



Jiffy Steamers Australia Pty Ltd

www.jiffysteammers.com.au | Email: jsinfo@jiffysteammers.com.au | Tel: 1300 511677

Model J-1 and J-2 Wiring Diagram



Before attempting any repair on a Jiffy Steamer product, make sure that it is **unplugged from the outlet**.

If you have any questions, please contact us.

Please note switch terminal 2, 3, 5 and 6 indicated on the enlarged switch diagram are marked on the actual switch. Jiffy® Steamers manufactured before May 2000 are not marked with the terminal switch numbers. Numbers in parenthesis refer to the drawing on the right.

1. Insert cord set (1) into housing and connect black positive wire (2) from cord set to terminal number 5 on the switch.
2. Connect blue wire (4) from the right side of brass heating element (5) to right side of the L-290 thermostat (6).
3. Insert brass heating element unit into housing. Hand tighten the brass nuts (7) on the water line to the element and to the 90-degree fitting from the cup. Tighten 2 mounting screws (8) at the base of heating element. Now, use a 16mm wrench to securely tighten the brass nuts on the water line to the element and to the 90-degree fitting from the cup. Heating unit may be loosened and adjusted for a better fit if necessary.
4. Place the 100mm copper grounding strap as shown in drawing. Secure grounding strap and the green ground wire with the grounding screw by attaching to the heating element ground location (3).
5. Connect white wire (9) from the left side of the heater unit to terminal number 6 on switch.
6. Connect yellow wire (10) from the left side of the thermostat to terminal number 3 on the switch.
7. Connect white neutral wire (11) from cord set bundle to orange fusible link with plastic connector (12).
8. Connect other end of orange fusible link to terminal number 2 on the switch.
9. Set steamer upright and place black plastic strain relief (13) approximately 115mm from end of cord set and insert into housing using pliers.
10. Secure bottom plate with four screws.
11. To avoid leakage, be sure to tighten hose (or hat nozzle) with wrench before using steamer.



Jiffy Steamers Australia Pty Ltd

www.jiffysteamers.com.au | Email: jsinfo@jiffysteamers.com.au | Tel: 1300 511677