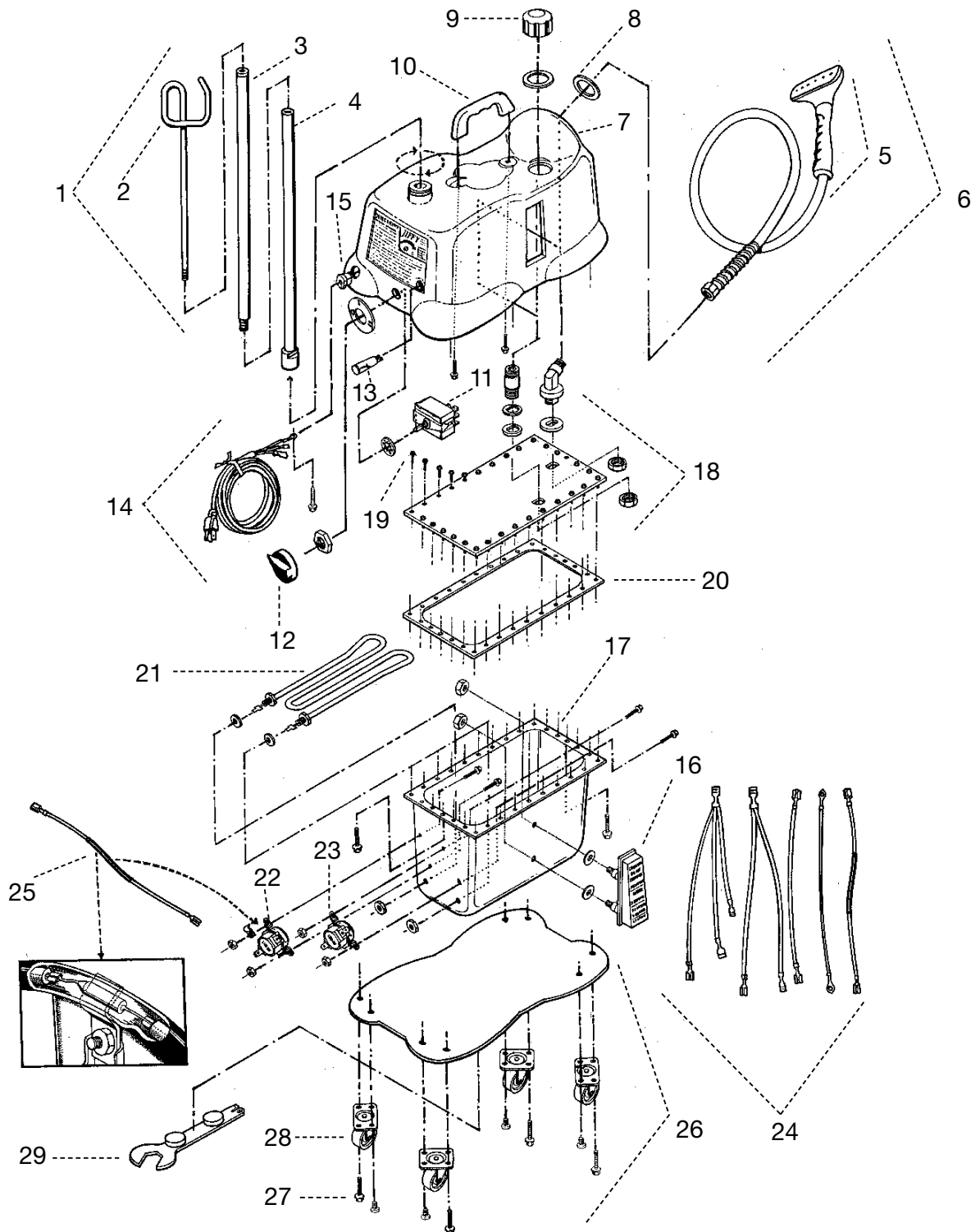


Model J-4000

Parts Diagram

* For models manufactured after March 2005



Should you ever need replacement parts for your Jiffy Steamer, you may purchase them separately. Use this handy diagram and parts list that is on the reverse side to identify any part you may need. Please include model and serial number when ordering.

Key #	Jiffy Steamer Part #	Part Description	List Price inc. GST
1	1030	Rod Set and Nut Complete with Metal Studs	\$ 57.00
	1034	Rod Set and Nut Complete for Drapery Steamers	\$ 59.95
2	0035	Hook Section of Rod Set	\$ 18.61
3	0036	Middle Section of Rod Set (with Barrel Stud and Cap Screw)	\$ 18.61
4	1033	Bottom Section of Rod Set (with Nut Attached)	\$ 23.05
	0037	Bottom Section of Rod Set (without nut)	\$ 18.61
	0038	Additional Middle Section of Rod Set for Drapery Steamers	\$ 18.61
	0043	Metal Threaded Cap Screw for Rod Set	\$ 3.72
	0039	Metal Threaded Stud for Rod Sections	\$ 3.72
5	0253	Plastic Steam Head/Handle Replacement Kit	\$ 54.58
6	0251	Plastic Head/Handle Hose Attachment Complete	\$ 99.00
7	1301	J-4000 Die Cast Aluminum Housing	\$ 161.57
	0006	Hex Beauty Ring	\$ 1.86
8	0004	Round Beauty Ring	\$ 1.86
9	0049	Water Fill Cap	\$ 16.13
	0053	Funnel	\$ 7.85
10	0054	Housing Handle with Two Screws	\$ 17.37
11	0199	Rotary Power Switch and Knob	\$ 29.78
12	0201	Replacement Knob Only for Rotary Power Switch	\$ 4.95
13	1311	Red Neon Pilot Light (230 VOLT)	\$ 10.10
14	0144	Cord Set (ETSA S-86, 230V) with Strain Relief	\$ 23.57
15	0146C	Cord Strain Relief	\$ 3.37
16	0050	Water Level Sight Gauge with Nuts and Washers	\$ 75.39
	1354	Stainless Steel Boiler Tank Kit Complete (230 Volt)	\$ 347.82
17	1374	Stainless Steel Boiler Tank with Sight Gauge (J-4000)	\$ 175.03
	0074A	Stainless Steel Boiler Tank with Sight Gauge (J-4)	\$ 175.03
18	1370	Stainless Steel Boiler Tank Lid with 2 Brass Fittings and 2 Beauty Rings	\$ 62.83
19	0071	Boiler Tank Screw Set (Set of 30)	\$ 14.88
	0061	Boiler Tank Silicone Sealer (2.8 Fluid Ounces)	\$ 11.17
	0062	Boiler Tank Silicone Sealer (10.1 Fluid Ounces)	\$ 19.84
20	0075	Boiler Tank Gasket	\$ 21.09
21	0064	"W" Bend Heating Element (230 Volt, 1500 Watt)	\$ 59.54
	1356	Heating Element for Strix Control (230 VOLT)	\$ 62.83
	1351	Heating Element (230 Volt, 1500 Watt) & Control Kit Complete	\$ 103.22
	1352	Strix Control Kit with Seal and Hardware	\$ 44.66
	1362	Hardware Kit for J-4000 Strix Control	\$ 3.72
22	0203	Preheat Thermostat (L-170)	\$ 19.84
23	0204	Steam Thermostat (L-220)	\$ 19.84
24	0155	Internal Wire Set (Set of 5 Wires) for "W" Bend Element	\$ 19.84
	1314	Internal Wire Set (Set of 4 Wires) for Strix Control Element	\$ 19.84
25	0158	Fusible Link Wire with Insulated Cap and Clamp	\$ 7.45
26	1320	Bottom Plate with Four Casters	\$ 40.39
27	0017	Bottom Plate Screws (Set of 4)	\$ 1.86
28	0018	Bottom Plate Casters (Set of 4)	\$ 16.13
Accessories			
29	1050	Jiffy Steamer Assembly Wrench	\$ 8.98
	0259	2.28m Auto Hose Attachment with Dual Metal Heads	\$ 145.00
	0257	1.67m Carpet Hose Attachment with 30cm wide Metal Head	\$ 140.00
	0252	2.28m Drapery Hose Attachment with Plastic Steam Head	\$ 100.00
	0255	2.28m Drapery Hose Attachment with Metal Steam Head	\$ 122.10
	0254	Metal Head / Wood Handle Hose Attachment Complete	\$ 121.00
	0256	Metal Head / Wood Handle Only	\$ 63.00
	0269	Replacement Wooden Handle (for Metal Steam Heads)	\$ 17.37
	0262	Wig Hose Attachment	\$ 99.00
	0274	Brass Hat Nozzle Attachment	\$ 27.50
	1062	Steam Cleaning "B" Brush Hose Attachment	\$ 99.00
	1063	Brush Only for the "B" Hose Attachment	\$ 15.40
	0898	Liquid Cleaner - Pack of two 250ml Bottles	\$ 19.95



Jiffy Steamers Australia Pty Ltd

PO Box 2182, Moorabbin, VIC 3189

Tel: 1-300-511-677 Fax: 03-8676-4985

Web: www.jiffysteamers.com.au Email: jsinfo@jiffysteamers.com.au