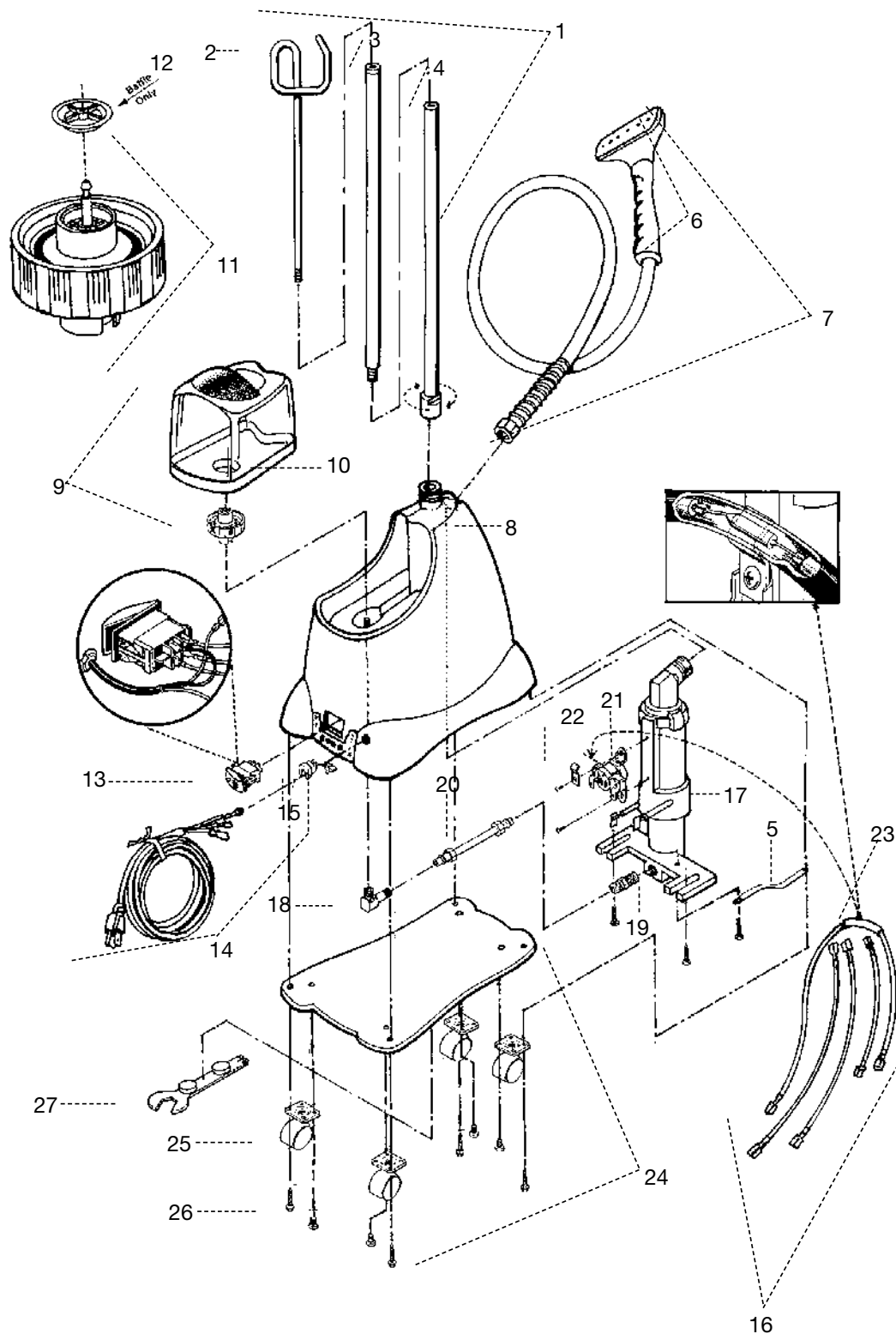


Model J-2000

Parts Diagram



Should you ever need replacement parts for your Jiffy Steamer, you may purchase them separately. Use this handy diagram and parts list that is on the reverse side to identify any part you may need. Please include model and serial number when ordering.

Key #	Jiffy Steamer Part #	Part Description	List Price inc. GST
1	1030	Rod Set and Nut Complete with Metal Studs	\$ 50.00
2	0035	Hook Section of Rod Set	\$ 18.61
3	0036	Middle Section of Rod Set	\$ 18.61
4	00371	Bottom Section of Rod Set	\$ 18.61
	0043	Metal Threaded Cap Screw for Rod Set	\$ 3.72
	0039	Metal Threaded Stud for Rod Sections	\$ 3.72
5	1102	Grounding Strap for Heating Element	\$ 3.37
6	0253	Plastic Steam Head/Handle Replacement Kit	\$ 54.58
7	0251	Plastic Head/Handle Hose Attachment Complete	\$ 99.00
8	1100	J-2000 Plastic Housing Kit	\$ 130.15
9	1140	J-2000 Water Caddy Complete with Check Valve Cap	\$ 44.00
10	1141	J-2000 Water Caddy Complete without Check Valve Cap	\$ 40.00
11	0027A	Replacement Check Valve Cap	\$ 9.31
	0004	Round Beauty Ring	\$ 1.86
12	0027B	Replacement Check Valve Cap Baffle Only	\$ 0.55
13	1126	Green Lighted Contura Rocker Switch - 230 Volt	\$ 22.33
14	0144	Cord Set (ESTA S-86, 230V) with Strain Relief	\$ 23.57
15	0146B	Cord Strain Relief	\$ 3.72
16	0148	Internal Wire Set	\$ 22.33
17	0162A	Heating Unit Assembly (no wiring included) for Models with Green Lighted Contura Rocker Switch - 230 Volt Cord Set and 4 1/2" Water Line	\$ 147.27
18	1131	Brass 90 Degree Elbow Joint - Extended Version	\$ 5.61
19	1130	3/8" x 1/4" Straight Brass Fitting for Heating Element Housing	\$ 6.33
20	0187	Copper Tube(41/2" length) with Nuts and Compression Rings	\$ 9.92
21	0160	L-290 Thermostat	\$ 19.84
22	0195	Fusible Link Clamp	\$ 3.72
23	0151	Fusible Link Wire with Insulated Lug and Clamp	\$ 7.45
24	1120	Bottom Plate with Casters	\$ 40.39
25	0011	Bottom Plate Casters (Set of 4)	\$ 16.13
26	0010	Screws for Bottom Plate (4 Screws Total)	\$ 1.86
Accessories			
27	1050	Jiffy Steamer Assembly Wrench	\$ 8.98
	0254	Metal Head/Wood Handle Hose Attachment Complete	\$ 121.00
	0256	Metal Head / Wood Handle Only	\$ 63.00
	0262	Wig Hose Attachment	\$ 99.00
	1062	Steam Cleaning "B" Brush Hose Attachment	\$ 99.00
	1063	Brush Only for the "B" Hose Attachment	\$ 15.40
	0698	Liquid Cleaner - Pack of two 250ml Bottles	\$ 19.95



Jiffy Steamers Australia Pty Ltd

PO Box 2182, Moorabbin, VIC 3189

Tel: 1-300-511-677 Fax: 03-8676-4985

Web: www.jiffysteamers.com.au Email: jsinfo@jiffysteamers.com.au