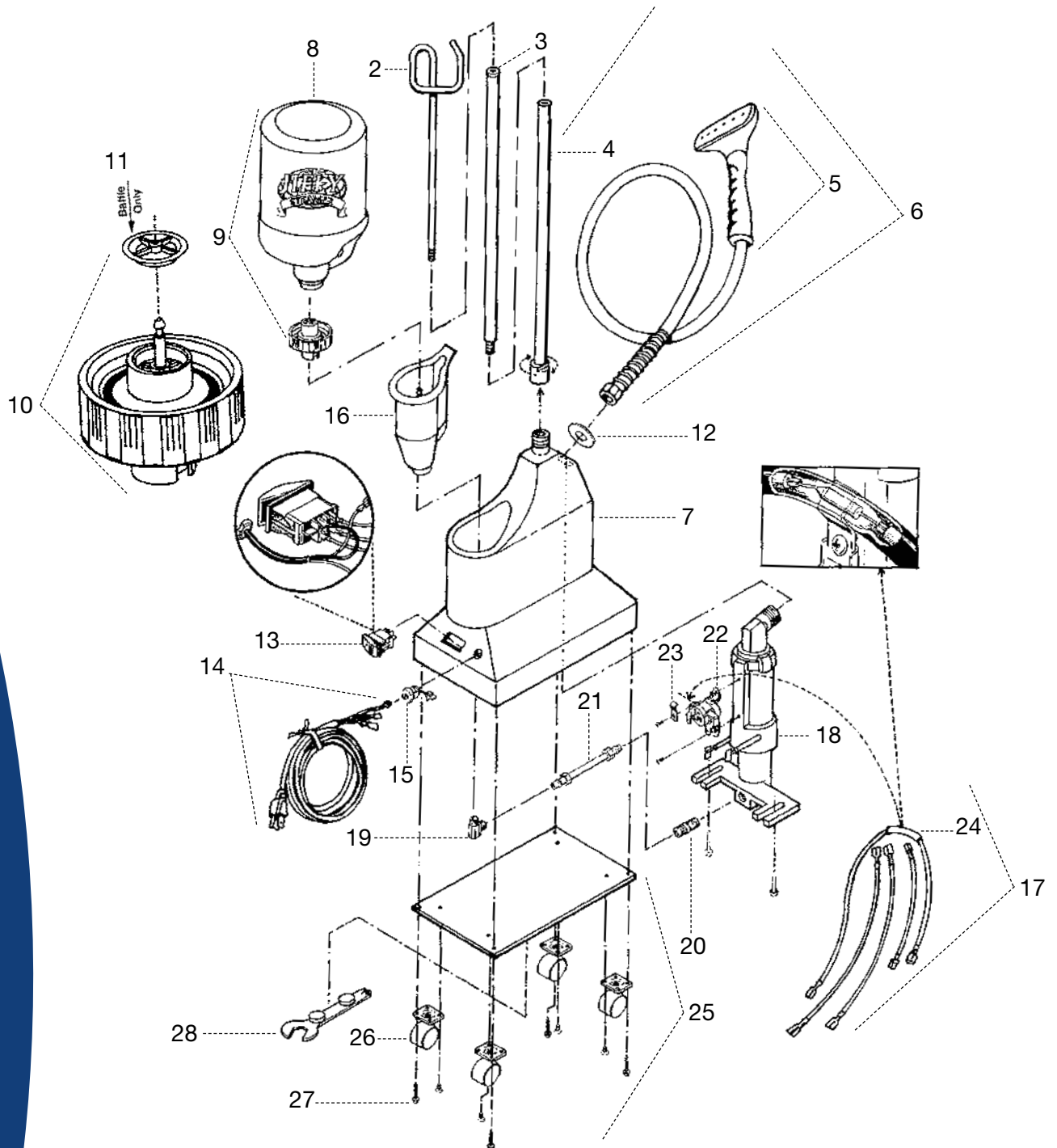


# J-1 and J-2 Models

## Parts Diagram



Should you ever need replacement parts for your Jiffy Steamer, you may purchase them separately. Use this handy diagram and parts list that is on the reverse side to identify any part you may need. Please include model and serial number when ordering.

Key #	Jiffy Steamer Part #	Part Description	List Price inc. GST
1	<b>1030</b>	Rod Set and Nut Complete with Metal Studs	\$ 50.00
	<b>0031</b>	Old Style Hose Hanger Rod Set	\$ 63.27
	<b>0041</b>	Base Adapter with Thumb Screw (for Old Style Rods Sets)	\$ 8.68
2	<b>0035</b>	Hook Section of Rod Set	\$ 18.61
3	<b>0036</b>	Middle Section of Rod Set	\$ 18.61
4	<b>1033</b>	Bottom Section of Rod Set (with Nut Attached)	\$ 23.05
	<b>0037</b>	Bottom Section of Rod Set (without Nut)	\$ 18.61
	<b>0043</b>	Metal Threaded Cap Screw for Rod Set	\$ 3.72
	<b>0039</b>	Metal Threaded Stud for Rod Sections	\$ 3.72
5	<b>0253</b>	Plastic Steam Head/Handle Replacement Kit	\$ 54.58
6	<b>0251</b>	Plastic Head/Handle Hose Attachment Complete	\$ 99.00
7	<b>0002</b>	Painted Die Cast Aluminum Housing	\$ 127.78
	<b>0023</b>	Plastic Water Bottle "A" with Cap	\$ 16.13
	<b>0027</b>	Replacement Cap for Water Bottle "A"	\$ 1.86
8	<b>0026A</b>	Plastic Water Bottle "B" without Check Valve Cap	\$ 17.50
9	<b>0025</b>	Plastic Water Bottle "B" with Check Valve Cap	\$ 23.57
10	<b>0027A</b>	Replacement Check Valve Cap for Water Bottle "B"	\$ 9.31
11	<b>0027B</b>	Replacement Check Valve Cap Baffle Only	\$ .55
12	<b>0004</b>	Round Beauty Ring	\$ 1.86
	<b>0122</b>	Toggle Switch (3 Pieces)	\$ 18.61
	<b>0128</b>	Red Neon Pilot Light with Lock Ring 230 Volt	\$ 9.92
13	<b>1126</b>	Green Lighted Contura Rocker Switch 230 Volt	\$ 22.33
14	<b>0144</b>	Cord Set (ETSA S-86, 230V) with Strain Relief	\$ 23.57
15	<b>0146B</b>	Cord Strain Relief	\$ 3.72
16	<b>0028</b>	Water Cup with 90 Degree Brass Fitting	\$ 44.66
	<b>0147</b>	Internal Wire Set for Models with Front Red Light	\$ 22.33
17	<b>0148</b>	Internal Wire Set for Models with Green Contura Rocker Switch	\$ 22.33
18	<b>0162A</b>	Heating Unit Assembly (no wiring included) - 230 Volt and 4"Water Line	\$ 147.27
	<b>0030</b>	Brass 90 Degree Elbow Joint	\$ 6.20
20	<b>1130</b>	3/8" x 1/4" Straight Brass Fitting for Heating Element Housing	\$ 6.33
21	<b>0591</b>	Copper Tube (4" length) with Nuts and Compression Rings	\$ 9.92
	<b>1191</b>	Copper Tube (4 1/2" length) with Nuts and Compression Rings	\$ 9.92
	<b>0187</b>	Copper Tube (5" length) with Nuts and Compression Rings	\$ 9.92
22	<b>0160</b>	L-290 Thermostat	\$ 19.84
23	<b>0195</b>	Fusible Link Clamp	\$ 3.72
24	<b>0151</b>	Fusible Link Wire with Insulated Lug and Clamp	\$ 7.45
25	<b>0009</b>	Bottom Plate with Casters	\$ 33.50
26	<b>0011</b>	Bottom Plate Casters (Set of 4)	\$ 16.13
27	<b>0010</b>	Screws for Bottom Plate (4 Screws Total)	\$ 1.86
<b>Accessories</b>			
28	<b>1050</b>	Jiffy Steamer Assembly Wrench	\$ 8.98
	<b>0274</b>	Brass Hat Nozzle Attachment	\$ 27.50
	<b>0254</b>	Metal Head/Wood Handle Hose Attachment Complete	\$ 121.00
	<b>0256</b>	Metal Head / Wood Handle Only	\$ 63.00
	<b>0269</b>	Replacement Wooden Handle (for Metal Steam Heads)	\$ 17.37
	<b>0262</b>	Wig Hose Attachment	\$ 99.00
	<b>1062</b>	Steam Cleaning "B" Brush Hose Attachment	\$ 99.00
	<b>1063</b>	Brush Only for the B" Hose Attachment	\$ 15.40
	<b>0898</b>	Liquid Cleaner - Pack of two 250ml Bottles	\$ 19.95



## Jiffy Steamers Australia Pty Ltd

PO Box 2182, Moorabbin, VIC 3189

Tel: 1-300-511-677 Fax: 03-8676-4985

Web: [www.jiffysteamers.com.au](http://www.jiffysteamers.com.au) Email: [jsinfo@jiffysteamers.com.au](mailto:jsinfo@jiffysteamers.com.au)